

Mobile extraction unit

PM-180, PM-200 and PM-225

This mobile welding fume extractor from Geovent is suitable for portable extraction of e.g. welding fumes, in situations where permanent extraction systems are not an option. It is also suitable for blowing fresh air into cargo space, containers etc. Despite the robust and compact construction, the weight is low, and it is thus an extremely versatile portable extraction solution.

GEOVENT portable fans PM-180, PM-200 and PM-225 are supplied with 2 x 5 m hose and a hood with a magnet.

It is often used in agriculture, by travelling fitters or on board ships, where there is no possibility of fixed extraction points.

Ordering table

Art. No.	Description	[kW]	[A]	Max [m ³ /h]	Max [Pa]
30-006A	PM-180-1	0,55kW	3,93	1.400	950
30-006H	PM-180-1	0,55kW	3,93	1.400	950
31-006H	PM-200-1	1,1 kW	2,4	2.100	1.450
31-006A	PM-225-3	2,2kW	4,4	2.950	1.500
30-006A	PM-180-1 including 10 m ø125 mm GeoFlex WELD hose, hood with magnet, thermal protection with breaker and 10m cable 1x230V with plug. Airflow max. 700 m ³ /h, less if the hose is bent.				
30-006H	PM-180-1 including 10 m ø160 mm GeoFlex WELD hose, hood with magnet, thermal protection with breaker and 10m cable 1x230V with plug. Airflow max. 1.100 m ³ /h, less if the hose is bent.				
31-006H	PM-200-1 including 10m ø160mm GeoFlex Weld hose, hood with magnet, thermal protection with breaker and 10m cable 1x230V with plug. Airflow max. 1.800 m ³ /h, less if the hose is bent. Transport trolley for easy transport.				
32-006A	PM-225-3 including 10 m ø200 mm GeoFlex Weld hose, hood with magnet, thermal protection with breaker and 10m cable 3x400V with plug. Airflow max. 2.400 m ³ /h, less if the hose is bent. Transport trolley for easy transport.				
30-007	Handle w/wheels for PM-180-1				
09-310A	Ekstra 10 m hose with MF/NP quick coupling, ø125 mm				
09-313H	Ekstra 10 m hose with MF/NP quick coupling, ø160 mm				
09-314H	Ekstra 10 m hose with MF/NP quick coupling, ø200				

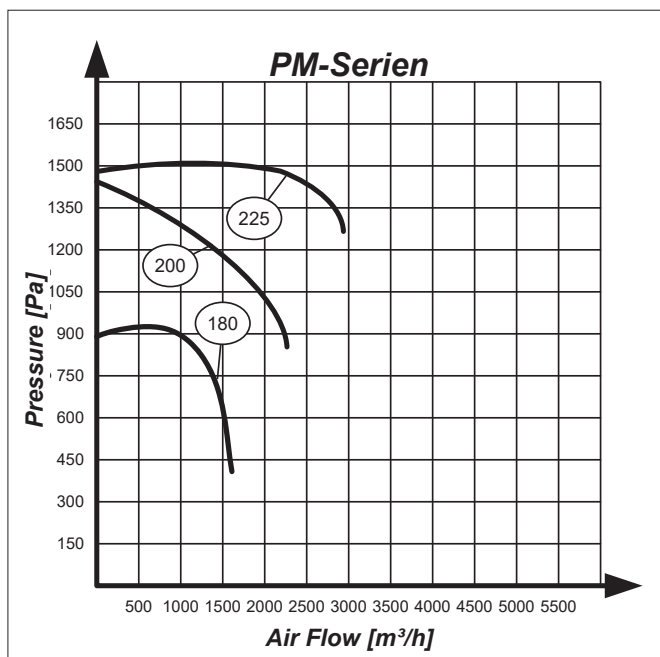


PM-180



PM-200 and PM-225

Pressure drop curve for the used fan

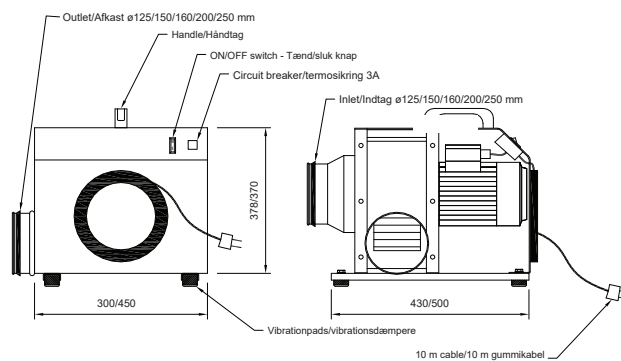


Teknisk data - PM-180

- 1x230V, 50 Hz, 0,55 kW
- Start/stop contact and thermal fuse
- Air flow without hose: Max. 1670 m³/h
- Air flow with loose hose: 600 m³/h (ø125mm) or 800 m³/h (ø160mm).
- Air flow with straight hose: 700 m³/h (ø125mm) - 1.100 m³/h (ø160mm)
- Made of hot-galvanized steel with powder-coated support plate. All screws and bolts are electro galvanized.
- 2 x 5 m ø125mm or ø160 mm flexible and light weight hose with nozzle for easy removal.
- Powder coated hood with strong magnet.
- ABS plastic carrying handle for easy transport.
- Weight: 20 kg
- Sound level up to 68dB(A)

Dimensions

PM-180, PM-200 and PM-225



Teknisk data - PM-200

- 3x230V, 50 Hz, 1,1 kW
- Start/stop contact and thermal fuse
- Air flow without hose: Max. 2.100 m³/h
- Air flow with fully straight hose: Max. 1.800 m³/h (ø165mm)
- Made of hot-galvanized steel with powder-coated support plate. All screws and bolts are electro galvanized".
- 2 x 5 m ø165mm flexible and light weight hose with nozzle for easy removal.
- Powder coated hood with strong magnet.
- Transport trolley for easy transport.
- Weight: 30 kg
- Sound level up to 75dB(A)

Teknisk data - PM-225

- 3x400V, 50 Hz, 2,2 kW
- Start/stop contact and thermal fuse
- Air flow without hose: Max. 2.950 m³/h
- Air flow with straight hose: Max. 2.400 m³/h (ø200mm)
- Made of hot-galvanized steel with powder-coated support plate. All screws and bolts are electro galvanized.
- 2 x 5 m ø200mm flexible and light weight hose with nozzle for easy removal.
- Powder coated hood with strong magnet.
- Transport trolley for easy transport.
- Weight: 35 kg
- Sound level up to 75dB(A)