

## Filters

# GeoFilter GF 315

GeoFilter GF 315 is compact and efficient for cleaning process air.

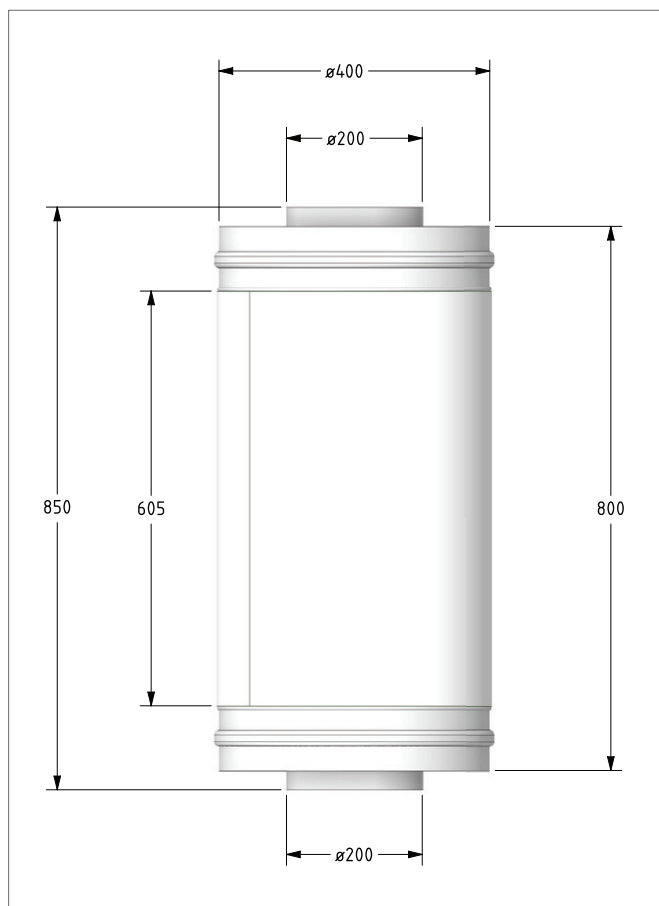
The filter unit is used for both welding fumes and grinding dust and has a filter surface of 18 m<sup>2</sup>.

The filter unit is for applications where automatic cleaning is not required. When the filter is dirty, the filter cartridge must be cleaned or replaced.

The filter unit is designed, so that it is easy to disassemble. Thus, the service access is completely effortless.

Used for air volumes from 800 to 1500 m<sup>3</sup>/h.

### Dimensions



GeoFilter GF 315

### Ordering table

Art. No.	Description
15-322	GeoFilter GF 315
15-325	Wall bracket for GF 315
15-340	Filterpatron for GF 315 F9
15-341	Filterpatron for GF 315 H14

Art. nr.	15-322
Filtration degree	F9 - 99,9%
Filter type	Filter cartridges
Filter area (m <sup>2</sup> )	18
Air flow (m <sup>3</sup> /h)	800-1500
In/out let (mm)	200/200