

Filter

GFO 315

up to 99% oil mist filtration

Our new filter for Oil mist extraction has bigger air flow capacities (1.000 m³/h) and higher filtration efficiencies (up to 99% at 0.3µm) than the traditional oil mist filters. Additionally the installation has been made easier.

The GFO Filter is used for filtration of oil mists from machines such as CNC lathing, milling and drilling machines etc., which all use oil types such as cutting oil (regular, semi-synthetic or synthetic), or water based emulsions. The filtration efficiency can be up to 99% at 0,3 µm.

The cabinet is made in galvanized steel and lacquered RAL 9005 Jet black.

Spill Oil

Filtrated liquids can be recycled, back to the machine, saving money on expensive liquids.

Filter cartridge

The filter cartridge is handling both oil and water saturated mists and smoke.

Filter cartridge change

The lock system on the filter makes for easy cleaning and replacing of the cartridge.

15-319 GFO 315 SMALL - up to 99% oil mist handling at 0,3 µm. Max air flow: 300 m³/h. inlet = ø160 mm, discharge = ø160 mm.

15-320 GFO 315 – 99 oil mist handling at 0,3 µm. Max air flow: 800 m³/h. inlet = ø200 mm, discharge= ø315 mm.

15-321 GFO 315 – 99 oil mist handling at 0,3 µm. Max air flow: 1.000 m³/h. inlet = ø200 mm, discharge= ø315 mm. Prolonged filter for applications with large filter loading.

Ordering

Art. no.			
15-319 GeoFilter GFO 315 SMALL	704	300	790

Art. no.	A	B	C
15-320 GeoFilter GFO 315	992	625	1085
15-321 GeoFilter GFO 315 EXT	1192	825	1285

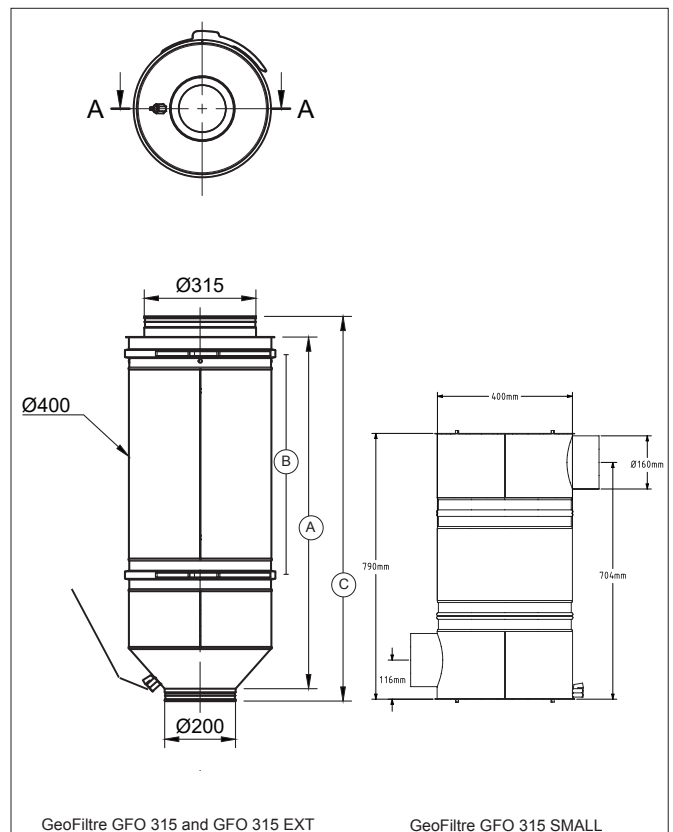
Accessories

15-334 Filter cartridge for GFO SMALL - 1,8 m ²
15-335 Filter cartridge for GFO standard - 3,7 m ²
15-336 Filter cartridge for GFO EXT - 4,9 m ²



GeoFiltre GFO 315 and GFO 315 EXT

Dimensions



GeoFiltre GFO 315 and GFO 315 EXT

GeoFiltre GFO 315 SMALL

