

Extraction Arm

MINI arm - $\varnothing 80$, $\varnothing 100$ and $\varnothing 125$ mm

GEOVENT MINI arm is a handy point extraction arm for soldering smoke, fumes, oil fog, grinding dust a.s.o. The MINI arm is supplied with a universal installation bracket, which can be mounted on either vertical (e.g. wall) or horizontal surfaces (e.g. table or lower cupboard). The hose (not included) is mounted on the outside of the arm. The arm has 5 friction joints, which result in smooth operation.

Construction:

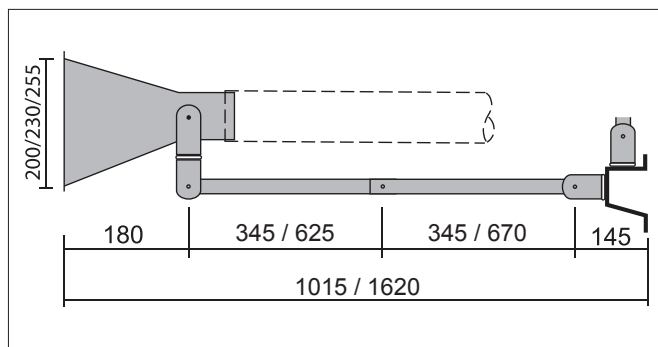
Installation bracket: steel plate in powder enamel yellow RAL 1007. The plate is 360° turn able.

Hood: Light weight aluminum hood in $\varnothing 80$, $\varnothing 100$, $\varnothing 125$ mm powder enamel yellow RAL 1007.

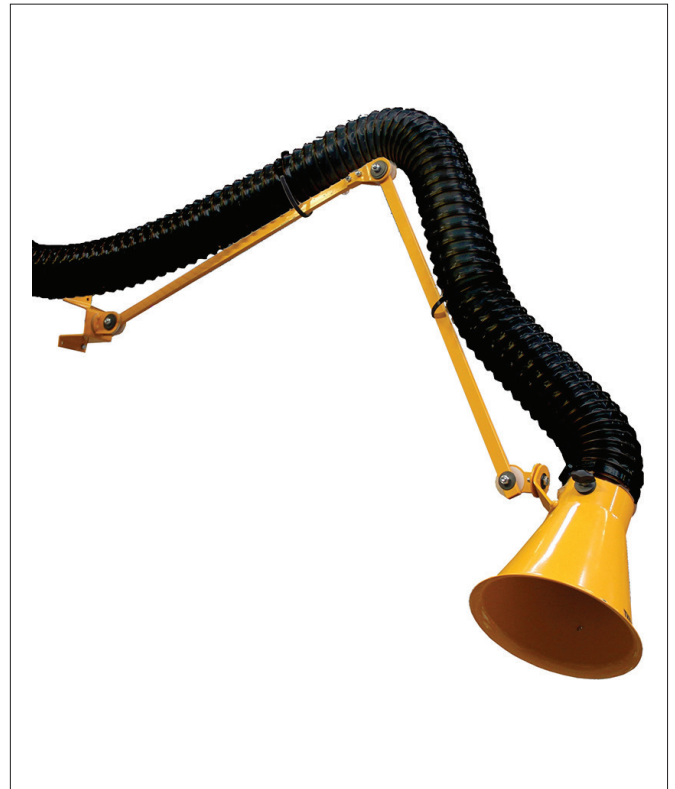
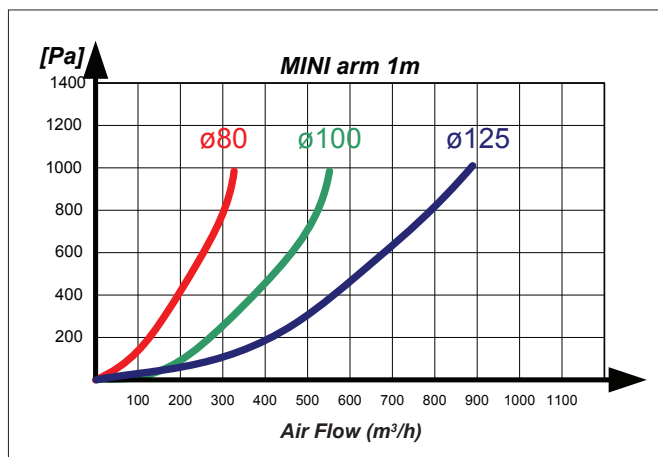
Arms and friction joints: powder enamel 20x10 mm ALU profile, which is connected via friction discs and plate springs.

Capacity: Up to 900 m³/h depending on desired air speed.

Dimensions



Pressure drop



MINI arm $\varnothing 80$, $\varnothing 100$ and $\varnothing 125$ mm

Ordering table

MINI-01	MINI arm 1,0 m $\varnothing 80$, complete
MINI-02	MINI arm 1,0 m $\varnothing 100$, complete
MINI-03	MINI arm 1,0 m $\varnothing 125$, complete
MINI-07	MINI arm 1,5 m $\varnothing 80$, complete
MINI-08	MINI arm 1,5 m $\varnothing 100$, complete
MINI-09	MINI arm 1,5 m $\varnothing 125$, complete

12-005	Tight damper for hood - $\varnothing 80$ mm
12-006	Tight damper for hood - $\varnothing 100$ mm
12-012	Tight damper for hood - $\varnothing 125$ mm

01-085	MINI arm 1,0m with wall/table console. Hose and hood not included.
--------	--

06-121	Hood $\varnothing 80$ mm for MINI arm
06-122	Hood $\varnothing 100$ mm for MINI arm
06-123	Hood $\varnothing 125$ mm for MINI arm