

Extraction Arm

FLEXI arm - $\varnothing 100$ mm and $\varnothing 125$ mm

The Geovent FLEXI arm has a upgraded unique design, which is specially developed to remove polluted air in e.g. laboratories, hospitals, schools, clinics a.s.o. The polluted air is removed directly at the source and thereby is the employee's exposure for e.g. toxic steams minimized and it gives a better work environment. The FLEXI is with internal, articulated arm.

Three friction affected joints and a 360° smooth-running turn able console causes a smooth operation within the working area. The arm is turn able in all imaginable positions, which contributes to effortless and easy use of the FLEXI arm every day.

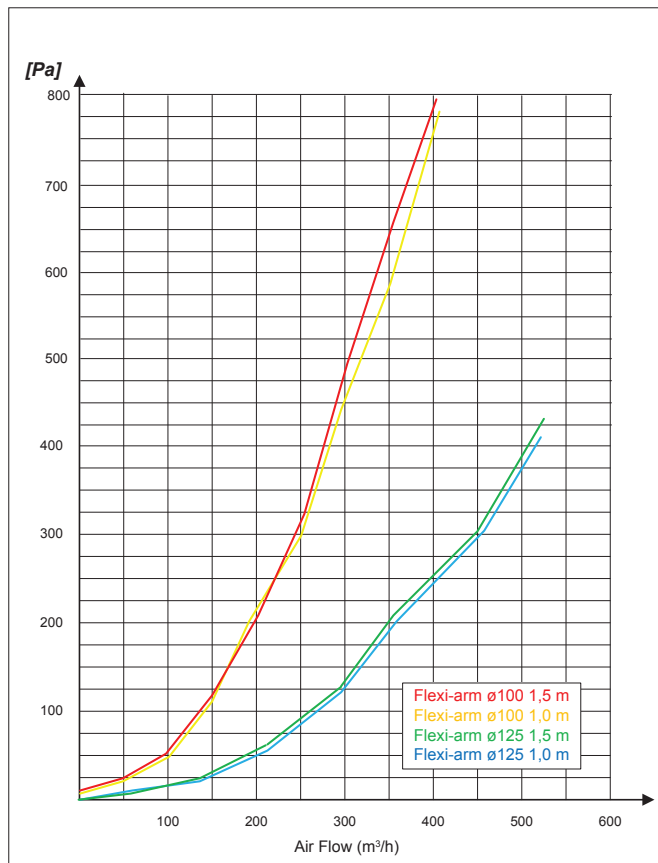
The FLEXI arm is supplied as standard in $\varnothing 100$ mm or $\varnothing 125$ mm in either 1.0 m or 1.5 m length with three different possible mounting consoles

All FLEXI arm is delivered as standard in white RAL9016 gloss 60.



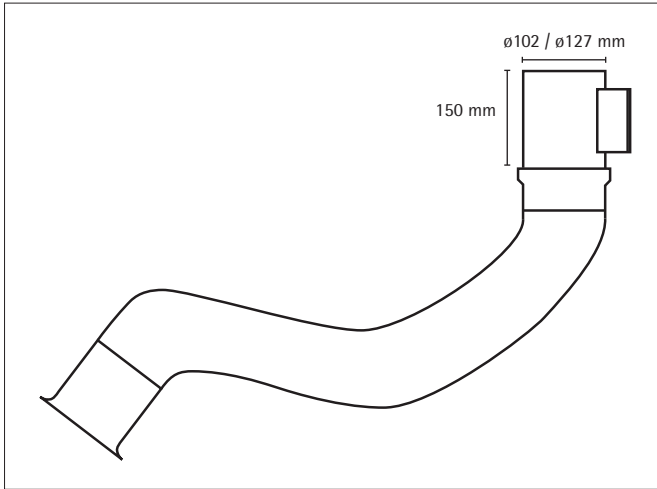
FLEXI arm with Standard ALU hood

Pressure drop - FLEXI arm



Customized black FLEXI arm with standard ALU hood

Dimensions



Wall console

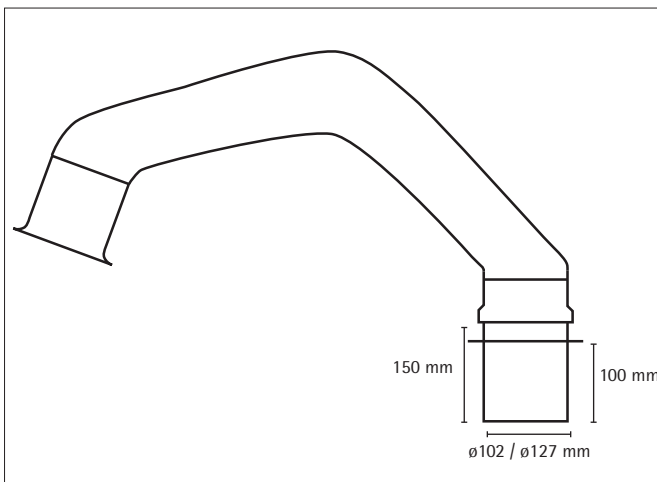
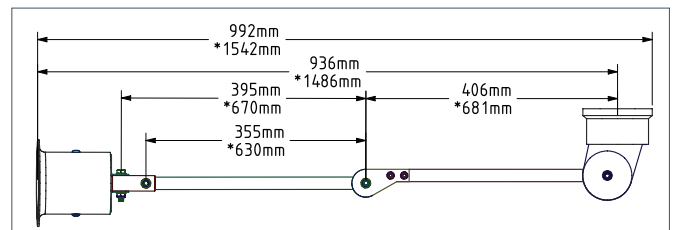
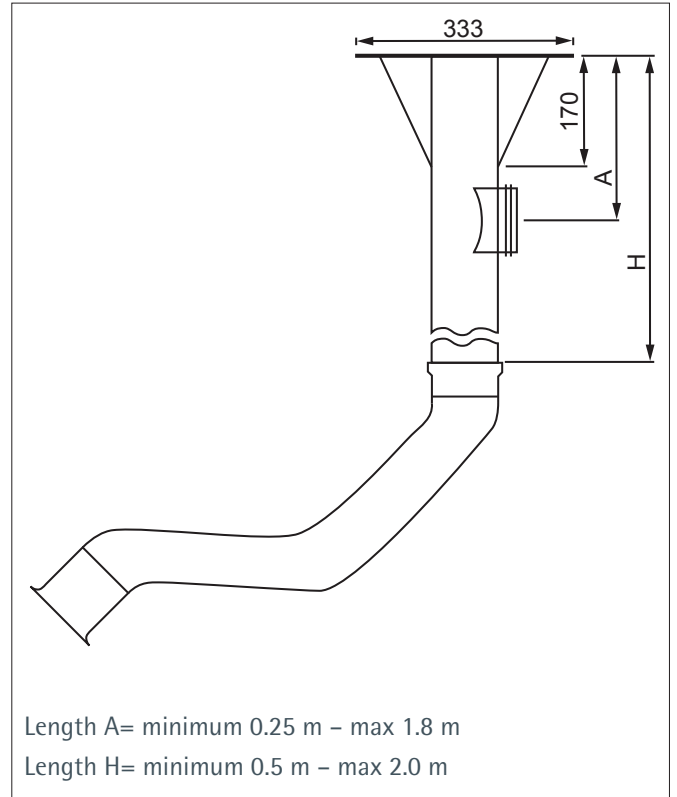


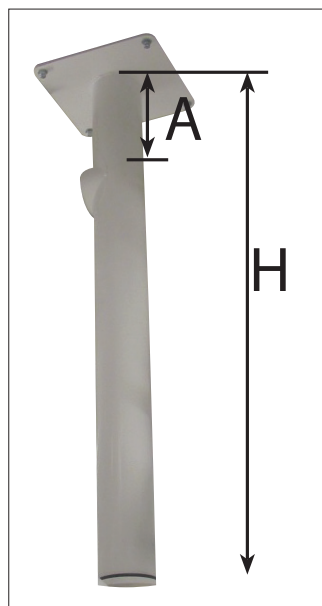
Table console



* FLEXI arm 1,5 m



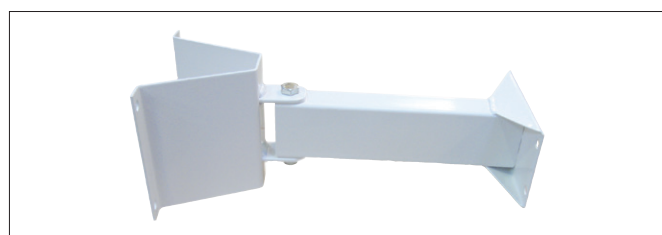
Flexi arm \varnothing 100 mm and \varnothing 125 mm



Ceiling console



Wall console



Extension arm



NB: Without console and hood.



FLEXI arm FSK

Step 1.

Wall mounting - ceiling or table console. The FLEXI arm fits on all consoles.

Art. No. Description

FLEXI arm - \varnothing 100 mm

01-420	Wall console FLEXI-100
01-421	Table console FLEXI-100
01-422	Ceiling console FLEXI-100 H=1000 mm. A=125 mm
01-423	Ceiling console FLEXI-100 Customized up to 1000 mm
01-424	Ceiling console FLEXI-100 Customized 1000 - 2400 mm

FLEXI arm - \varnothing 125 mm

01-440	Wall console FLEXI-125
01-441	Table console FLEXI-125
01-442	Ceiling console FLEXI-125 H=1000 mm. A=138 mm
01-443	Ceiling console FLEXI-125 Customized up to 1000 mm
01-444	Ceiling console FLEXI-125 Customized 1000 - 2400 mm

Accessories

01-585	FLEXI FVK Extension 0,5 meters
01-586	FLEXI FVK Extension 1,5 meters

Step 2.

Choose a arm - \varnothing 100 mm or \varnothing 125 mm.
FLEXI arm, with internal, articulated arm and hose.

FLEXI arm

Art. No. Description

FLEXI arm - \varnothing 100 mm

01-430	FLEXI arm \varnothing 100 mm L=700 mm
01-431	FLEXI arm \varnothing 100 mm L=1000 mm
01-432	FLEXI arm \varnothing 100 mm L=1500 mm

NB: Without console and hood.

FLEXI arm - \varnothing 125 mm

01-450	FLEXI arm \varnothing 125 mm L=700 mm
01-451	FLEXI arm \varnothing 125 mm L=1000 mm
01-452	FLEXI arm \varnothing 125 mm L=1500 mm

NB: Without console and hood.

Hood



Plastic hood (PETG) in \varnothing 280, \varnothing 385 and \varnothing 500 mm.



Plastic hood (PETG) 265 x 168 mm



Plastic hood (PETG)

Step 3.

The FLEXI arm is available with different types of trays in both aluminum and transparent plastic hood (PETG).

Art. No.	Description
01-455	Standard Hood \varnothing 100 mm FLEXI
01-456	Standard Hood 125 mm FLEXI

12-006	Tight damper \varnothing 100 mm for use in hood
12-012	Tight damper \varnothing 125 mm for use in hood

FLEXI arm is by default powder coated white, RAL 9016 gloss 60.

Other hoods by request.

Step 3.

For all plastic hood (PETG): please start which arm they are used for:

A: ASA (eks. 01-568A)

F: FLEXI (eks. 01-568F)

W: WING/COMPACT (eks. 01-568W)

Art no.	Description
Transparent plastic hood (PETG) \varnothing500 mm:	
01-568	\varnothing 100 mm connection
01-569	\varnothing 125 mm connection

Transparent plastic hood (PETG) \varnothing385 mm:	
01-566	\varnothing 100 mm connection
01-567	\varnothing 125 mm connection

Transparent plastic hood (PETG) \varnothing280 mm:	
01-564	\varnothing 100 mm connection
01-565	\varnothing 125 mm connection

Transparent plastic hood (PETG) 265 x 168 mm:	
01-558	\varnothing 100 mm connection

Transparent plastic hood (PETG) 330 x 245 mm:	
01-556	\varnothing 100 mm connection
01-557	\varnothing 125 mm connection

Flexi arm \varnothing 100 mm and \varnothing 125 mm



FLEXI arm FSK

FLEXI arm FSK with horizontal attachment and it comes in two versions. One is fixed to the cabinet as standard (fx. 01-578S), the other arm is quick-release (fx. 01-578D) for easy detachment of the arm. Add S after the art. no. to get a fixed arm or add a D for a quick-release.

Varenr.	Betegnelse
01-578S/D	FLEXI arm FSK- \varnothing 100 mm 1,0 m., incl. hood and wall console
01-579S/D	FLEXI arm FSK- \varnothing 100 mm 1,5 m., incl. hood and wall console
01-580S/D	FLEXI arm FSK- \varnothing 125 mm 1,0 m., incl. hood and wall console
01-581S/D	FLEXI arm FSK- \varnothing 125 mm 1,5 m., incl. hood and wall console

