

## Extractions Arms

# Hood with extension arm and motorized hoist

Geovent extractor with extension and hoist is used when a solution with flexibility in terms of location is needed.

By swinging the paver with the extractor, it can be placed in the exact location where extraction is required.

In some cases, there is a need to lift and lower the extractor.

Therefore, our extractor is supplied with a motorized hoist with travel up to 1,000 mm. Motorized hoist 1x230V is supplied with remote control.

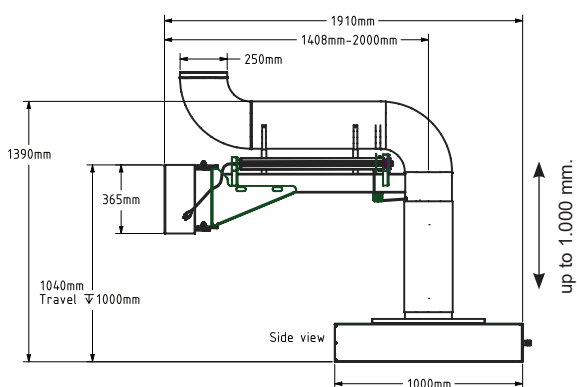
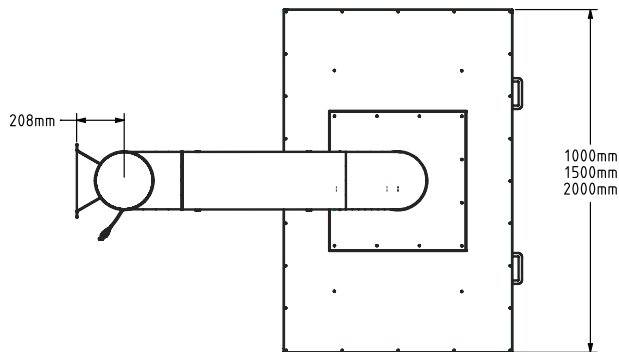
Extractor hoods are available as standard in 3 sizes with  $\varnothing 250$  mm connection.



Hood with extension arm and motorized hoist. Note: The motor may look differently.

### Dimensions, hood

Top view



### Ordering table

Art. No.	Description
02-220	Hood 1x1m with 2 m 1-joint extension and motorized hoist with migration up to 1.000 mm.
02-221	Hood 1x1,5m with 2 m 1-joint extension and motorized hoist with migration up to 1.000 mm.
02-222	Hood 1x2m with 2 m 1-joint extension and motorized hoist with migration up to 1.000 mm.

Wall bracket

