

High Vacuum

HVU Filtercyklon

Geovent HVU Filter Cyclone is part of a total high-vacuum system. The filter cyclone is equipped with a filter that cleans the extracted air.

The cyclone has shot valves, which cleans the filter cartridge.

The HVU Filter Cyclone can be used for a wide range of applications such as:

- Abrasive dust extraction from grinders and sanders.
- Metal chip extraction from milling, turning and sawing processes.
- Ordinary workplace cleaning.
- Cleaning and vacuuming. Extraction of dust and particles in connection with diverse production / cleaning processes, where dust particles etc. must be removed.
- Welding extraction where the extraction is connected to the welding pistols.

Geovent HVU Filter Cyclone can be delivered in a special design, so that the optimal solution is created according to the customer's needs. It can also be delivered in an ATEX version.

Various emptying systems adapted to the customer's needs are available.

If there is a need for extraction of air with larger particles, a pre-separator can be used. It separates the largest particles before entering the filter cyclone. This saves the filter, which means longer life.

The filter cyclone is delivered in coated galvanized steel plate, so it is well protected against corrosion. The cyclone is intended for indoor installation and is designed to be easy to maintain.

The filter cyclone can be installed separately from the motor unit (See the data sheet of HVU Solo) and comes with a collection bucket, which is easily emptied using the practical handle. Other solutions for emptying can be provided.



HVU Filtercyclone

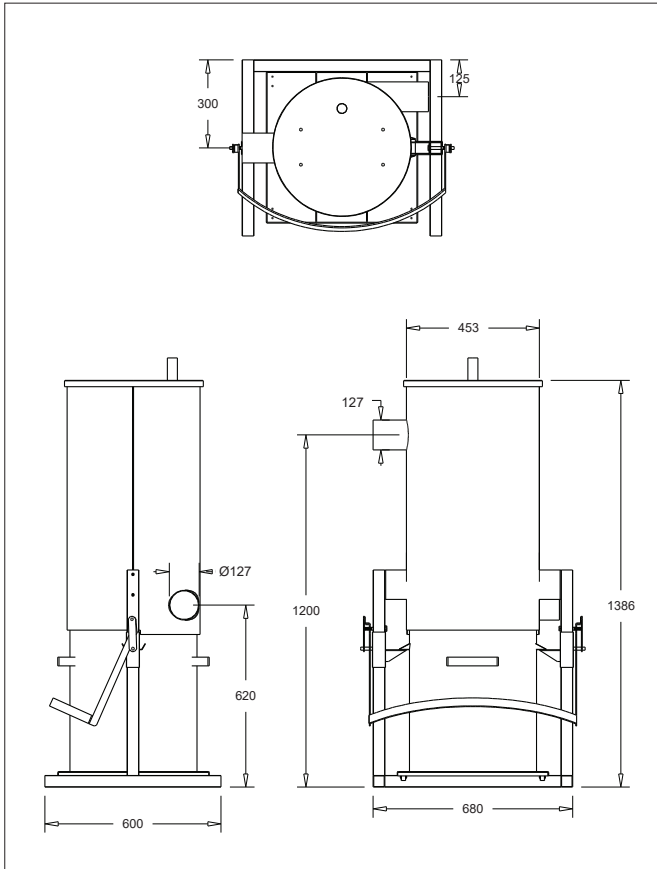
Ordering table

Art. No.	Description
03-957	Preseparator for 3-7,5 kW HVU - ø450 mm
03-958	Preseparator for 11-15 kW HVU - ø450 mm
03-956A	Filtercyclone for HVU solo 11-15 - ø700 mm
03-956	Filtercyclone for HVU solo 11-15 - ø450 mm
03-259	Filter cartridge for HVU and HVU Filter cyclone HVU-12m ² ALU

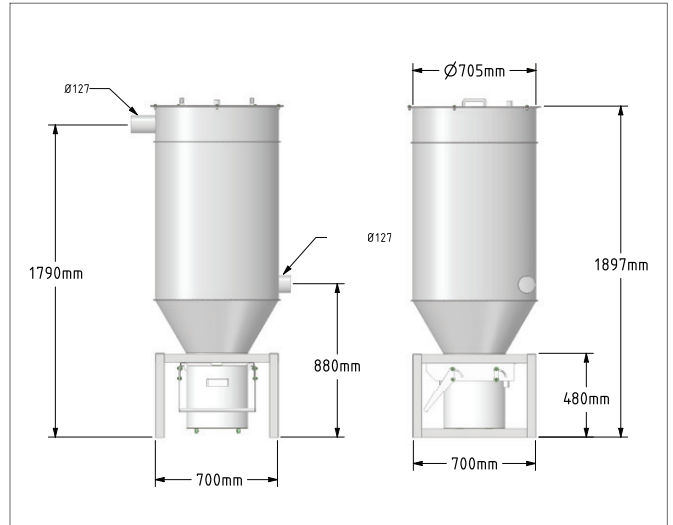


Filterpatroner for filtercyklon

Dimensions



Other dimensions can be supplied on request.



HVU Filter cyclone $\varnothing 700$ mm