

ATEX

Explosion retension valve

Geovent Explosion retension valve reduce damages from explosions. An explosion involves not only the immediate processed material, but can also propagate to the rest of the process. This propagation can be avoided if the affected processed material is quickly isolated by a non-return valve.

The non-return valve is designed to separate the filter from the plant. It is a simple and effective system that is easy to install, without electronics which requires no electrical connections, practically no maintenance and with very low pressure loss.

Our non-return valve is an excellent ATEX certified Safety system for the compartmentalization of an explosion and is suitable for use in Ex zone 21 (ext.) and up to Ex zone 20 (int.).

Advantages

- Economically suitable solution for security against an explosion
- Completely mechanical requiring practically no maintenance
- NO power consumption
- Simple assembly, operation and maintenance
- Low pressure losses
- High pressure resistance
- Applicable for dust St1 organic and nonmetallic
- Short installation distance

Material

Body in steel M16SO3

Closing flap in HB 400 (HARDOX)

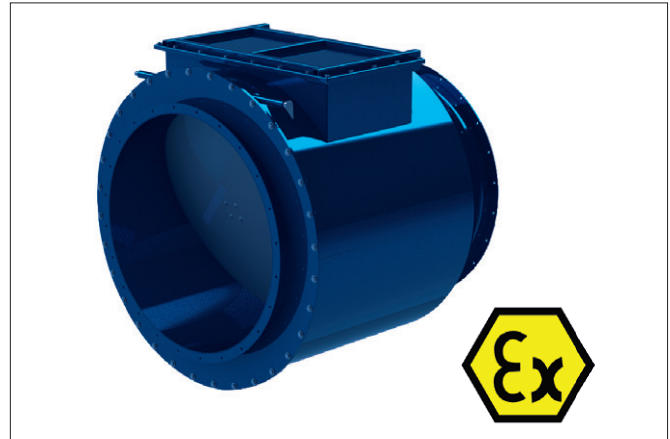
Surface treatment: Powder coated RAL 5010.

Type

Welded plates with welded FA flanges.

Other information

- Series includes diameters \varnothing 200 up to \varnothing 600 mm
- Conformity according to: EN 16447: 2014
- Certification number: FTZU 14 ATEX 0111X
FTZU 16 ATEX 0003X
- ATEX norm 114 : 2014/34/EC
- Exterior zone certification: 21-22
- Interior zone certification: 20-21-22
- Level of protection: St1 (organic and nonmetallic) up to 200 bar m/s
- Kst max.: 200 bar.m.s-1



Certified ATEX non-return valve

- Pred, max.: 0,5 bar
- Maximum air speed: 30 m/s
- Use: Indoors or outdoors
- Min. / max installation distance from filter \varnothing 200: 2 m / 7 m
- Min. / max installation distance from filter \varnothing 250 to 400: 3 m / 7 m
- Min. / max installation distance from filter \varnothing 450 to 1000: 4 m / 7 m
- Max. dust concentration in duct: Without limits
- Only to be used in horizontal ducting
- Temperature range: -20°C to +60°C.

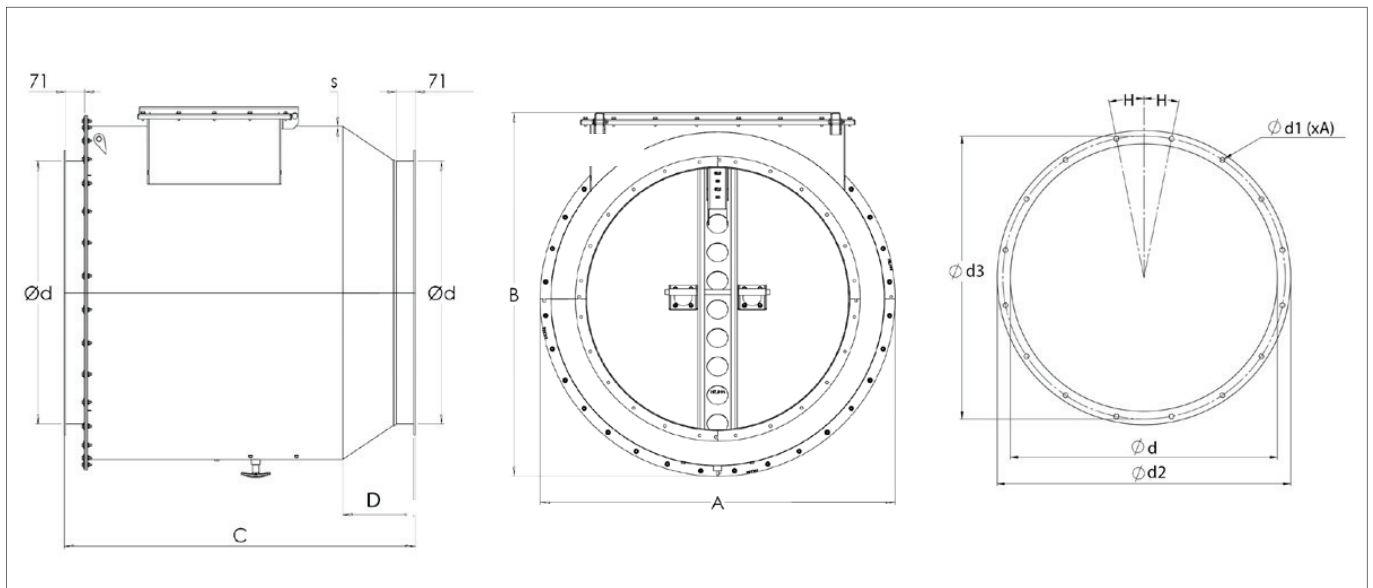
Ordering table

Art. No.	Description
16-601	Explosion retension valve \varnothing 200 mm
16-602	Explosion retension valve \varnothing 250 mm
16-603	Explosion retension valve \varnothing 300 mm
16-604	Explosion retension valve \varnothing 350 mm
16-605	Explosion retension valve \varnothing 400 mm
16-606	Explosion retension valve \varnothing 450 mm
16-607	Explosion retension valve \varnothing 500 mm
16-608	Explosion retension valve \varnothing 550 mm
16-609	Explosion retension valve \varnothing 600 mm
16-610	Explosion retension valve \varnothing 650 mm
16-611	Explosion retension valve \varnothing 700 mm
16-613	Explosion retension valve \varnothing 750 mm
16-614	Explosion retension valve \varnothing 800 mm
16-615	Explosion retension valve \varnothing 850 mm
16-616	Explosion retension valve \varnothing 900 mm
16-617	Explosion retension valve \varnothing 950 mm
16-618	Explosion retension valve \varnothing 1000 mm

Pressure drop per diameter

Velocity m/s	ø200 Pa	ø250 Pa	ø300 Pa	ø350 Pa	ø400 Pa	ø450 Pa	ø500 Pa	ø550 Pa	ø600 Pa	ø650 Pa	ø700 Pa	ø750 Pa	ø800 Pa	ø850 Pa	ø900 Pa	ø950 Pa	ø1000 Pa
15	390	380	370	360	350	340	330	320	310	290	280	270	260	250	240	230	220
20	340	350	360	370	380	390	400	410	420	340	350	360	370	380	390	400	410
25	460	467	473	480	487	493	500	507	513	440	447	453	460	467	473	480	487

Dimensions



Dimensions

ø d mm	Art. No.	A mm	B mm	C mm	D mm	d1 mm	d2 mm	d3 mm	A qty	H (°)	S mm	Weight kg
200	16-601	470	510	590	137	10	255	235	12	15	3	45
250	16-602	520	555	620	137	10	305	285	12	15	3	52
300	16-603	570	610	640	137	10	355	336	12	15	3	60
350	16-604	620	660	670	137	12	415	389	12	15	3	70
400	16-605	670	710	735	157	12	465	439	16	11,25	3	83
450	16-606	720	760	785	157	12	515	489	16	11,25	3	94
500	16-607	770	810	835	157	12	565	540	16	11,25	3	106
550	16-608	820	860	885	157	12	615	590	16	11,25	3	118
600	16-609	870	910	935	157	12	665	640	16	11,25	3	130
650	16-610	985	1021	1090	247	12	715	690	24	7,5	3	169
700	16-611	1035	1072	1120	247	12	785	750	24	7,5	3	185
750	16-613	1085	1127	1150	247	12	835	800	24	7,5	3	199
800	16-614	1152	1213	1220	247	12	885	850	24	7,5	3	229
850	16-615	1202	1263	1340	247	12	935	900	24	7,5	3	241
900	16-616	1252	1313	1340	247	12	985	950	24	7,5	3	268
950	16-617	1302	1363	1340	247	12	1035	1000	24	7,5	3	281
1000	16-618	1352	1413	1340	247	12	1085	1050	24	7,5	3	294