

Automatics

GeoGuard

Geovent GeoGuard is a complete pressure guard, which is delivered as sets, matching the specific need.

The packages include a pressure switch, pressure hose, warning light, siren and other items as required. IP65.

See ordering table with the different options below.

Pressure fields:

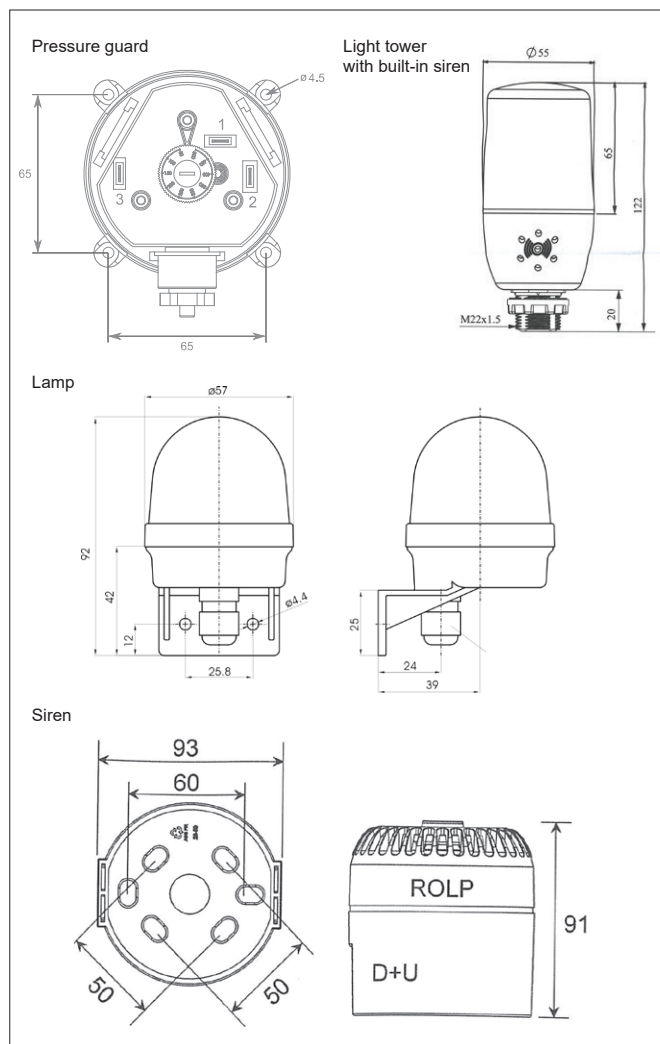
50 - 500 Pa

500 - 2500 Pa

1000 - 5000 Pa

Supply voltage: 1 x 230 V 50Hz

Dimensions



Ordering table

Art. No.	Description
13-740	GeoGuard 500 (50-500 Pa) with differential pressure switch, 2 m pressure hose and warning light
13-741	GeoGuard 500 (50-500 Pa) with differential pressure switch, 2 m pressure hose and with multicolored light with integrated siren
13-742	GeoGuard 500 (50-500 Pa) with differential pressure switch, 2 m pressure hose and external siren
13-745	GeoGuard 2.500 (500-2.500 Pa) with differential pressure switch, 2 m pressure hose and warning light
13-746	GeoGuard 2.500 (500-2.500 Pa) with differential pressure switch, 2 m pressure hose and with multicolored light with integrated siren
13-747	GeoGuard 2.500 (500-2.500 Pa) with differential pressure switch, 2 m pressure hose and external siren
13-750	GeoGuard 5.000 (1.000-5.000 Pa) with differential pressure switch, 2 m pressure hose and warning light
13-751	GeoGuard 5.000 (1.000-5.000 Pa) with differential pressure switch, 2 m pressure hose and with multicolored light with integrated siren
13-752	GeoGuard 5.000 (1.000-5.000 Pa) with differential pressure switch, 2 m pressure hose and external siren