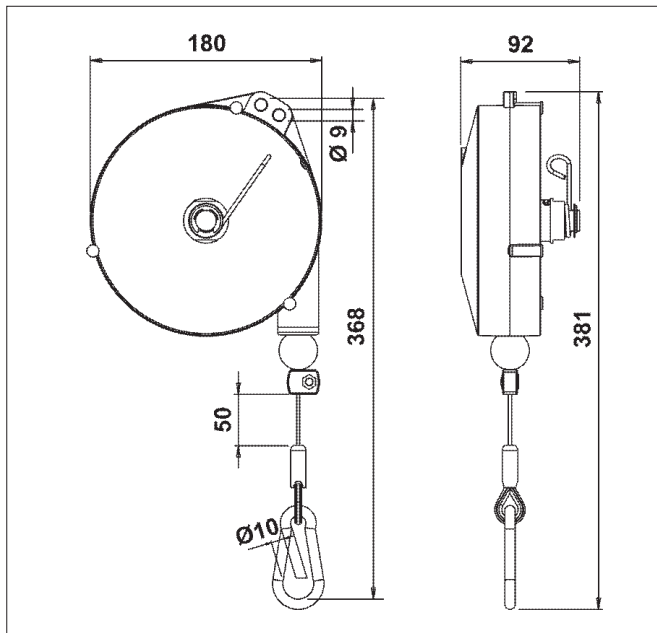


Exhaust fumes

Spring balancer

Aluminium spring balancer with steel wire. Progressive when released, the hose will accelerate all the way up pulling force. Weight: 2 - 4 kg.

Dimensions



Spring balancer

Technical data

Description	Lock	[m]	[kg]
DT-9336	No	2,5	2,0 - 4,0
DT-9337	No	2,5	4,0 - 6,0
DT-9347D	Yes/No	4,5	4,0 - 6,0
DT-9338	No	2,5	6,0 - 8,0
DT-9348D	Yes/No	4,5	6,0 - 8,0
DT-9339	No	2,5	8,0 - 10,0
DT-9349D	Yes/No	4,5	8,0 - 10,0
DT-9340	No	2,5	10,0-14,0
DT-9350D	Yes/No	4,5	10,0-14,0
DT-9346	Yes	2,5	2,0 - 4,0
DT-9347	Yes	2,5	4,0 - 6,0
DT-9348D	Yes	2,5	6,0 - 8,0
DT-9349D	Yes	2,5	8,0 - 10,0
DT-9350	Yes	2,5	10,0-14,0
DT-9362	No	2	15,0-20,0
DT-9363	No	2	20,0-25,0

Ordering table

Art. No.	Description
07-220	DT-9336
07-221	DT-9337
07-221A	DT-9347D
07-223	DT-9338
07-223A	DT-9348D
07-224	DT-9339
07-224A	DT-9349D
07-225	DT-9340
07-225B	DT-9350D
07-225A	DT-9346
07-226	DT-9347
07-227	DT-9348D
07-228	DT-9349D
07-229	DT-9350
07-230	DT-9362
07-231	DT-9363