



GEOVENT

INSTRUCTION MANUAL



GEOFILTER GF 315

Contents

1.0 Introduction	3
2.0 Safety	3
2.1 General safety	3
2.2 Danger	3
3.0 Machine overview	4
3.1 Description	4
3.2 Intended use	4
3.3 Machine specifications	4
3.3.1 Design	4
3.3.2 Technical data	4
4.0 Transport, handling and storage	4
5.0 Assembly, installation and start of operation	4
5.1 Location	4
5.2 Installation	4
5.3 Control and test of the security system	4
6.0 Commissioning	4
6.1 After installation	5
7.0 Control, test and maintenance	5
7.1 Control	5
7.2 Maintenance	5
7.3. Filter change	5
8.0 Cleaning	5
9.0 Troubleshooting	5
10.0 Dismantling, disabling and scrapping	5
11.0 Dimensions	5
12.0 Liability	6
13.0 Declaration of conformity	6
14.0 Spare part list	7

1.0 Introduction

This manual is made and designed in order to facilitate the best and most secure interaction with the product. The manual is relevant for people involved in transportation, stocking, installation, using, maintaining and all other thinkable interaction with the product.

The manual must be read in full and understood before interacting with the product.

When the manual has been read and understood in full, the table of contents can be used to find the relevant information in each case.

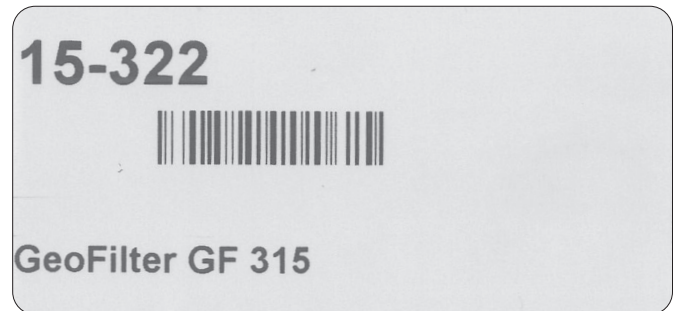
The product is manufactured by:

Geovent A/S
Hovedgaden 86
DK-8861 Løgstrup
DENMARK

Tel.: (+45) 86 64 22 11
E-mail: salg@geovent.dk
www.geovent.com

This manual is to be used for all interactions with the product including: Transportation, stocking, installation, operation and maintenance.

This product is marked with: (example)



2.0 Safety

2.1 General safety

Carefully read this manual before use and observe the safety instructions in order to avoid injuries! Keep this manual in a safe place!

Secure that all users of the product have read this manual and that they follow the instructions as described. Observe all instructions marked on the product! Observe the indications of the manufacturer. Never use the product if you are in doubt about how it works or what you should do.

When doing maintenance follow the instructions in chapter 7.0.

Do not modify the product or use spare parts from other suppliers than Geovent, as this may hamper the product and the function.

2.2 Danger

You must wear safety gloves when handling or using the product to protect your hands from scratches etc.

Be aware that the product may tilt when you move it. You must handle the product with care and tie it safely to the truck or the fork lift when it is in transport.

Follow the instructions in chapter 7.0 when the product is maintained.

When handling the product be sure that there is no risk for the installer, and secure that there are no people around the product, secure that the product cannot fall down risking to injure persons or subjects.

The product is not to be used in areas categorised as ATEX zones, e.g. with dust from aluminium, flour, wood, and other mediums that present an explosion hazard. In case of problems:

If a repair is not possible you should dispose of the product. Please follow the instruction for disposal in chapter 10.0.

3.0 Machine overview

3.1. Description

GeoFilter GF 315 is compact and efficient for cleaning of process air from e.g. welding fumes and various kinds of dust.

3.2 Intended use

GeoFilter GF 315 is used for filtering air from industrial processes such as welding and grinding. The product can not be used in areas categorized as an ATEX zone, e.g. dust from aluminum, flour, wood or other explosive media. The product can be delivered with different filter media - treated or untreated.

3.3 Machine specifications

3.3.1 Design

Cabinet: Galvanized steel
Powder coated

Filter media: Filter cartridge

3.3.2 Technical data

Model/Dimension	A [mm]	B [mm]	Inlet [mm]
GeoFilter GF 315	500	540	ø200np

Model/Dimension	Outlet [mm]	Weight [kg]
GeoFilter GF 315	ø200np	21

Max. airflow: 800 - 1.500 m³/h
Connection: ø200 mm NP

4.0 Transport, handling and storage

During transport in a truck or in another means of transportation the product must be securely packed in a box or a pallet and covered with a water proff material. The product must be securely stowed in the truck so that it will neither tilt nor shift during transport.

During transport over a short distance e.g. in a stock or a factory, the product can be moved by means of a forklift or a stabeler.

When moved it must be secured that the product does not tilt or shift. And it must be secured that the limitations of the means of transportation is not exceeded.

Secure that there are no people around the product, when the product is moved.

The product must be placed in a dry place and covered securely, in order to secure that moist, metal parts or other substances do not damage the product. It is not allowed to place anything on top of the product.

5.0 Assembly, installation and start of operation

5.1 Location

For error-free performance, the product should be installed indoors. We do not recommend outdoor installation.

Before installing the filter unit, please make sure that the optimum installation area is selected. Is there room enough for the filter? Is there space enough for carrying out satisfactory installation/-service of the filter?

5.2 Installation

For error-free performance, the product should be installed indoors. We do not recommend outdoor installation.

The filter is supplied complete and ready for installation.

Before installing the filter unit, please make sure that the optimum installation area is selected. Is there room enough for the filter? Is there space enough for carrying out satisfactory installation/-service of the filter? The following installation should be done by a trained professional.

Procedure:

Attach the filter to the wall or attach the ducts to the wall.

Mount the ducts on the GeoFilter GF 315.

5.3 Control and test of the security system

Before final use, check the function of the filter.

Check that the entire system is completely tight. If it leaks, located the leak and seal it.

6.0 Commissioning

Turn the entire system on and check it according to chapter 5.3.

6.1 After installation

Check the installation according to chapter 5.3.

7.0 Control, test and maintenance

7.1 Control

Check the installation according to chapter 5.3.

7.2 Maintenance

The entire extraction installation should be checked at least once a year by a qualified service technician.

GeoFilter GF 315 has a built-in cartridge filter that must be replaced if it cannot be cleaned satisfactorily. In the event of a filter change, the filter cartridge must be disposed of in accordance with local regulations.

7.3 Filter change

1. Before removing the filter cover, it is important that the service technician is wearing the necessary personal safety measures, such as respirators and gloves that comply with the local rules for working with contaminated dust.
2. Remove the 2 snap locks located on the top and bottom of the GeoFilter GF 315.
3. Remove the container.
4. Unscrew all bolts holding the filter cartridge and loosen the flange.
5. Lift out the filter cartridge.
6. Dispose of the discarded filter cartridge in a plastic bag and dispose of in accordance with local regulations.
7. Install the new filter cartridge by following the steps above in reverse order.
8. Check the filter for function and leaks after the filter change.

8.0 Cleaning

The outside of the product is cleaned with a vacuum cleaner or a cloth.

9.0 Troubleshooting

In case of troubles please check the following issues.

- If the pressure drop is too high, the filter cartridge may be dirty. Clean the filter cartridge or replace it.
- If a whistling sound comes from the filter or the piping system, there may be leaks. Review the system and seal any leaks.

10.0 Dismantling, disabling and scrapping

It is important that these instructions are followed to avoid contamination of persons or the environment.

Protective equipment must be worn before separation, gloves, goggles, respirator and protective suit, to avoid injuries.

When disposing of the product, the filter cartridge must be removed according to chapter 7.3 and disposed of according to local rules and regulations.

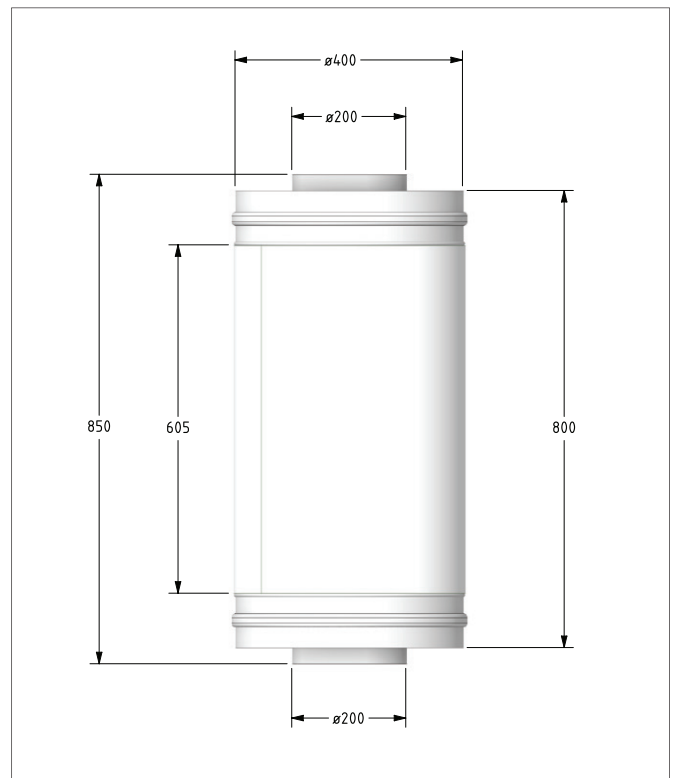
Clean the inside of the product with a vacuum cleaner, which has a filter designed for the purpose.

Dismantle and separate metal parts by unscrewing them apart. Then cut larger parts into smaller pieces and dispose of it according to local rules and regulations.

Packaging must be sorted and disposed of in accordance with local regulations and regulations.

11.0 Dimensions

GeoFilter GF 315



12.0 Liability

Warranty

Geovent A/S grants a warranty for products, which are defective, when it can be proved that the defects are due to poor manufacture or materials on the part of Geovent. The warranty comprises remedial action (reparation or exchange) until one year after the date of shipment.

No claims can be made against Geovent A/S in relation to loss of earnings or consequential loss as a result of defects on products from Geovent.

Wear on parts such as filter cartridges and hose is not included in the warranty.

User liability

In order for Geovent to be capable of granting the declared warranty, the user/fitter must follow this instruction manual in all respects.

Under no circumstances may the products be changed in any way, without prior written agreement with Geovent A/S.

Please refer to the current sales and delivery conditions at www.geovent.com

13.0 Declaration of conformity

The manufacturer: GEOVENT A/S
HOVEDGADEN 86
DK-8831 LØGSTRUP

Hereby declares that:

The product: GeoFilter
Model: GeoFilter GF 315

Complies with the relevant parts of the following directives and standards:

Directive 2006/42 / EC of the European Parliament and of the Council of 17 May 2006 on machines and amending directives 95/16 / EC

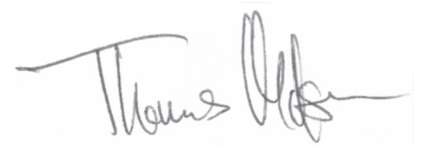
This declaration is no more valid if changes are made to the product by others than the manufacturer.

Authorized to collect the technical file:

Lise Cramer

Date: 10.08.2021

Position: Director
Name: Thomas Molsen



Signature:



14.0 Spare part list

Art. No.	Description
15-325	Wall bracket for GF 315
92-222	Hose clamp ø400 Transfer
15-340	Filter cartridge for GF 315 F9
15-341	Filter cartridge for GF 315 H14



GEOVENT

HOVEDGADEN 86 • DK-8831 LØGSTRUP
(+45) 8664 2211 • salg@geovent.dk