

ATEX

ASX arm for explosive processes

GEOVENT ASX extraction arm for explosive processes for gas and dust.

The ASX arm is based on the ASA arm, where the operator's needs are in focus when it comes to maneuverability, ergonomics and efficiency.

The hose is mounted on the outside of the carrying arm. The arm has 3 stable and 2 flexible points, which provides smooth operation.

Description

Wall bracket: Steel console in powder enamel yellow RAL1007.

The console is pivotable up to 270 degrees.

Hood: Light weight hood in $\varnothing 80$, 100, 125, 160 or $\varnothing 200$ mm. The $\varnothing 160$ mm and $\varnothing 200$ mm hood is equipped with an integrated ergonomic handle.

The hood is by default powder coated yellow RAL1007.

The hood can be moved in all possible positions.

Hose: Transparent PUR hose in antistatic material with copper spiral for grounding.

Temperature range: from $- 40^{\circ}\text{C}$ to $+ 100^{\circ}\text{C}$.

Arm and friction joint: 25 x 25 mm aluminum pipe, connected via joints with friction discs and plate springs. Internal arm part is reinforced with 35 x 35 mm aluminum pipe and equipped with gas cylinder.

The arm is double grounded through PUR hose and carrying arm. Resistance less than 10k Ω

EX II 2G T5 / EX II 2D 100°C

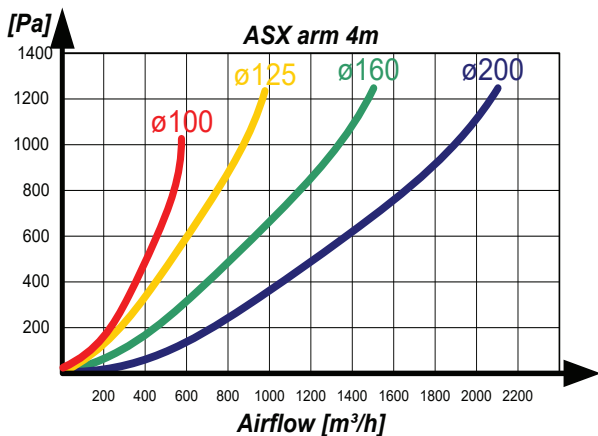
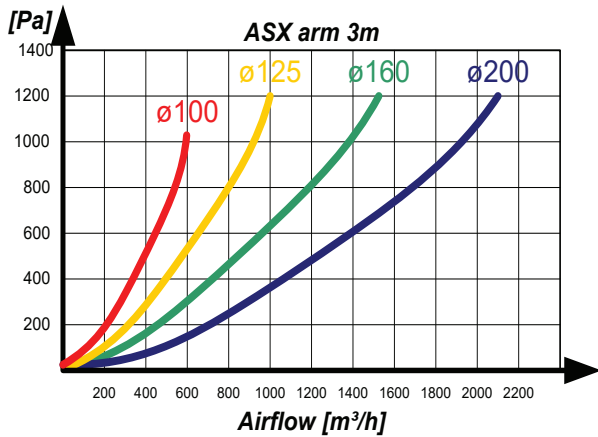
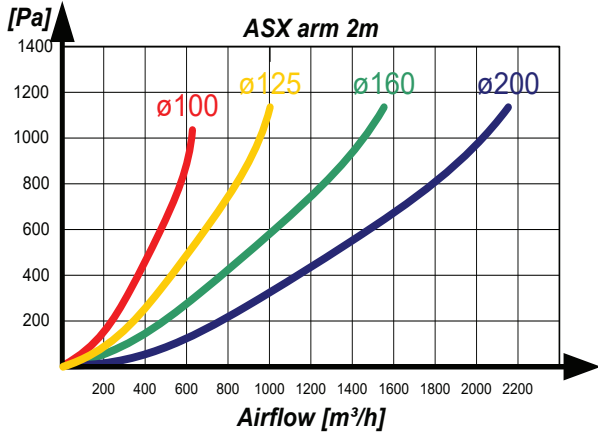


Standard issue

Ordering table

Art. No.	Description
ASX-01	ASX arm 2,0m $\varnothing 80$ mm, complete
ASX-11	ASX arm 3,0m $\varnothing 80$ mm, complete
ASX-21	ASX arm 4,0m $\varnothing 80$ mm, complete
ASX-02	ASX arm 2,0m $\varnothing 100$ mm, complete
ASX-12	ASX arm 3,0m $\varnothing 100$ mm, complete
ASX-22	ASX arm 4,0m $\varnothing 100$ mm complete
ASX-03	ASX arm 2,0m $\varnothing 125$ mm, complete
ASX-13	ASX arm 3,0 m $\varnothing 125$ mm, complete
ASX-23	ASX arm 4,0 m $\varnothing 125$ mm, complete
ASX-04	ASX arm 2,0m $\varnothing 160$ mm, complete
ASX-14	ASX arm 3,0m $\varnothing 160$ mm, complete
ASX-24	ASX arm 4,0m $\varnothing 160$ mm, complete
ASX-31	ASX arm 2,0m, $\varnothing 200$ mm, complete
ASX-33	ASX arm 3,0m $\varnothing 200$ mm, complete
ASX-35	ASX arm 4,0m $\varnothing 200$ mm, complete

Pressure drop



Dimension

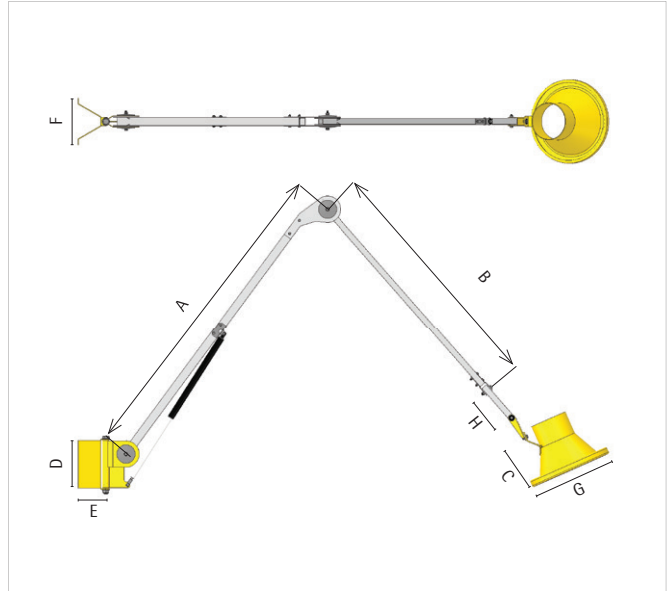


Table ASX arm

Armlength	A (mm)	B (mm)	D (mm)	E (mm)	F (mm)
2,0 m	920	680	206	120	200
3,0 m	1420	1180	206	120	200
4,0 m	1870	1710	206	120	200

Table ASX

Hood	C (mm)	G (mm)
Ø80 mm	255 mm	205 mm
Ø100 mm	245 mm	225 mm
Ø125 mm	240 mm	250 mm
Ø160 mm	225 mm	355 mm
Ø200 mm	180 mm	355 mm